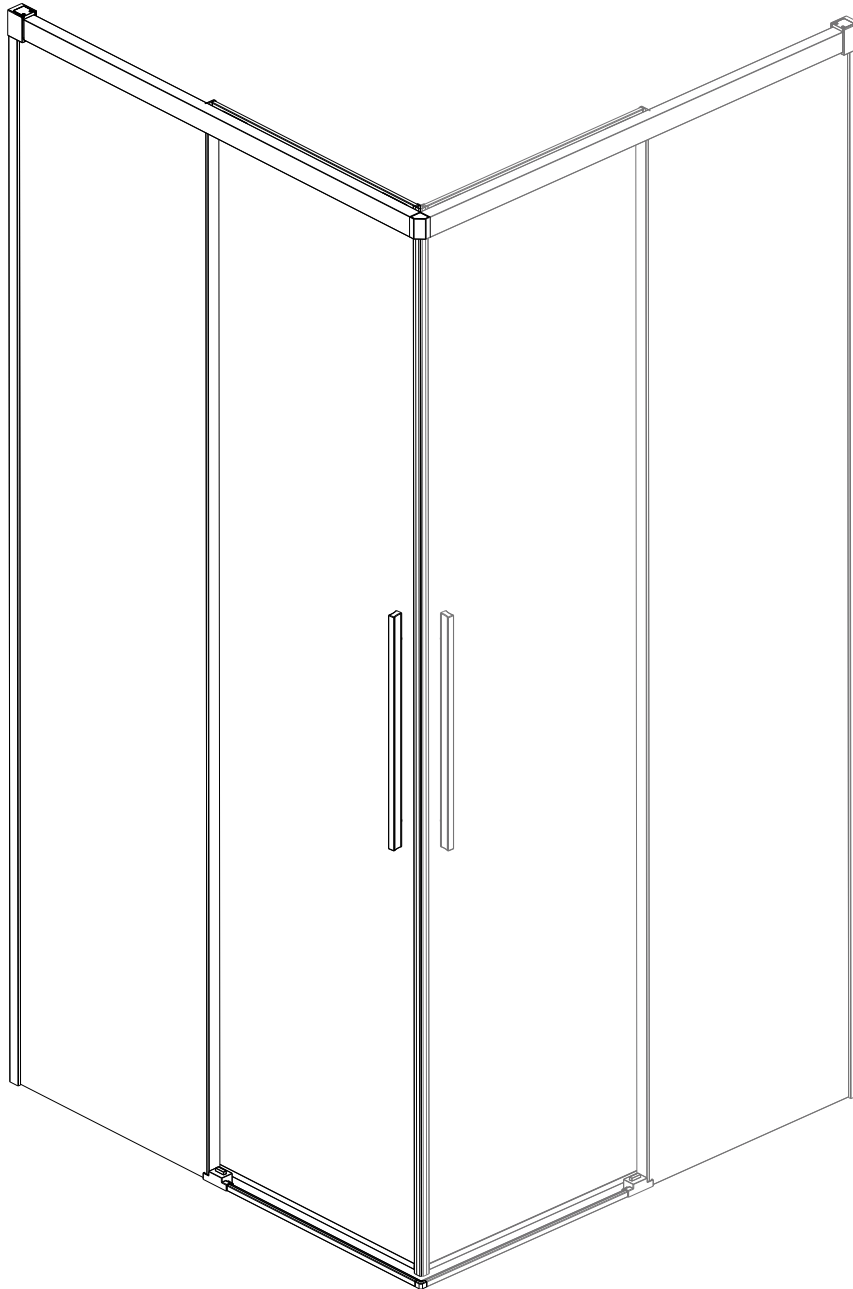


LUXOR

GU2180, GU2190, GU2110



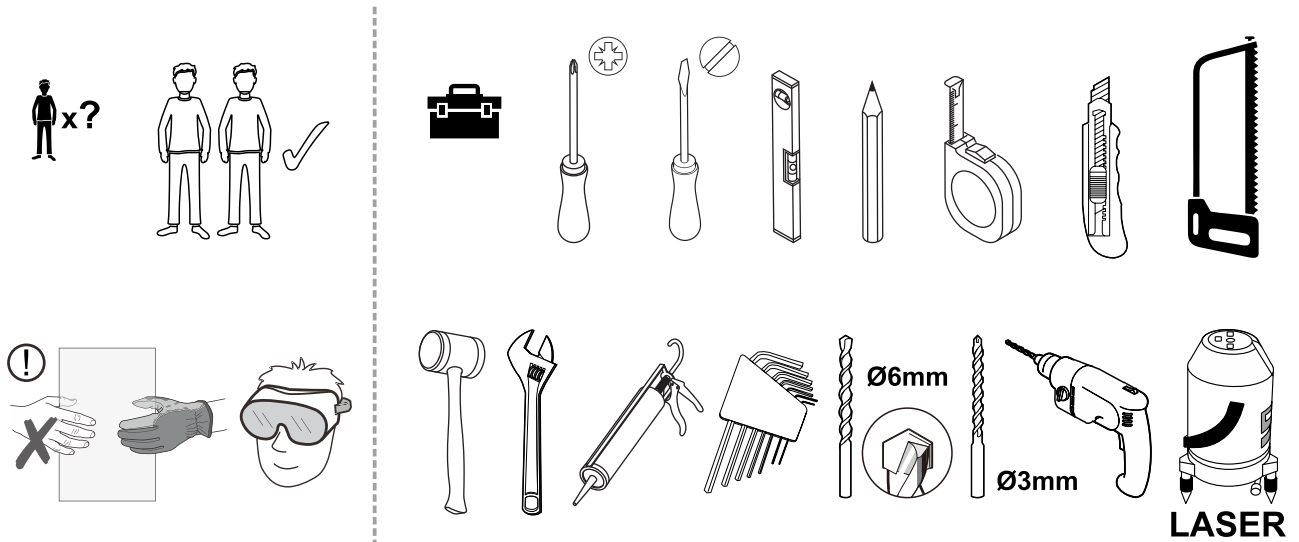
EN14428
Glass shower enclosure
cleaning efficiency: conforming
impact resistance: conforming
operating life: conforming

Skleněné sprchové zástěny
schopnost: vyhovuje
odolnost proti nárazu: vyhovuje
životnost: vyhovuje

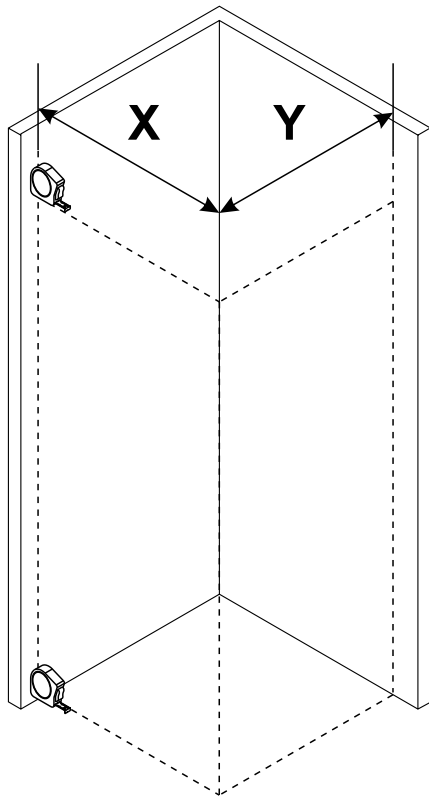
The logo for GELCO, featuring a stylized 'G' composed of three horizontal bars (orange, blue, and blue) followed by the word 'GELCO' in a bold, blue, sans-serif font.

GELCO s.r.o., Makovského 1341, 163 000 Praha 6

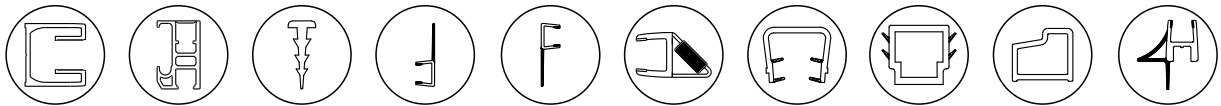
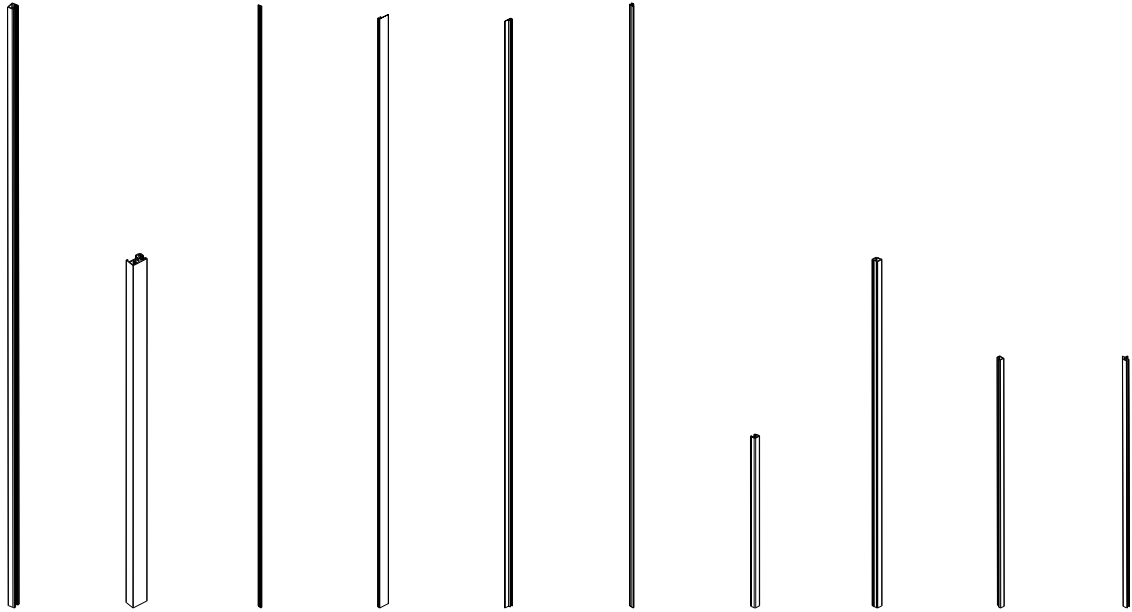
TOOLS



INSTALLATION



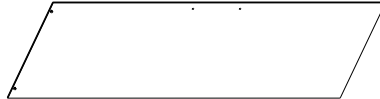
SIZE	X,Y,mm
800	785-800
900	885-900
1000	985-1000



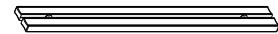
[01] x1 [02] x1 [03] x1 [04A] x1 [04B] x1 [05] x2 [06] x1 [07] x1 [08] x1 [09] x1



[10] x1



[11] x1



[12] x1



[13] x1



[14A] x1



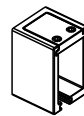
[14B] x1



[15] x1



[16] x2



[17A] x1



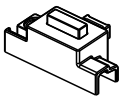
[17B] x1



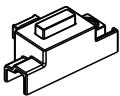
[18] x1



[19] x1



[20A] x1



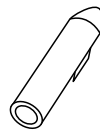
[20B] x1



[21] x1



[22] x1 (ST4x25)



[23] x6



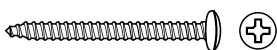
[24] x1 (ST4x8)



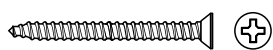
[25] x2



[26] x1



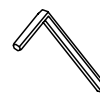
[27] x3 (ST4x35)



[28] x2 (ST4x35)



[29] x1 (2.5mm)



[30] x1 (3mm)

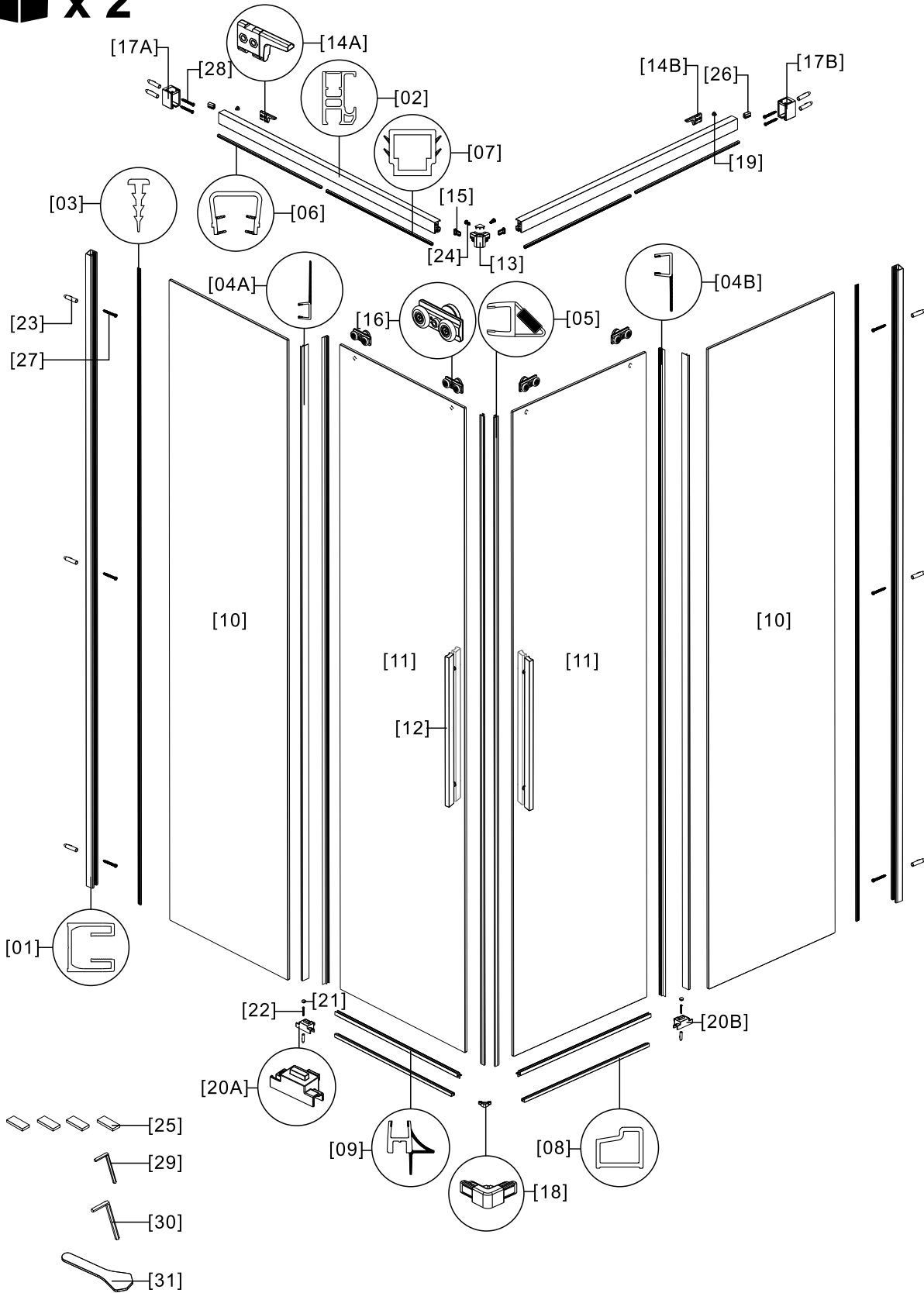


[31] x1



[32] x1

 x 2

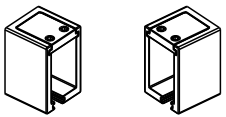




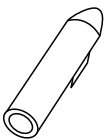
01



[01] x2



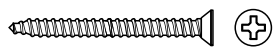
[17A] x1 [17B] x1



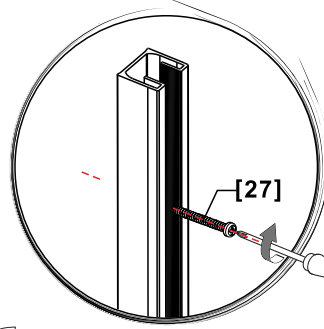
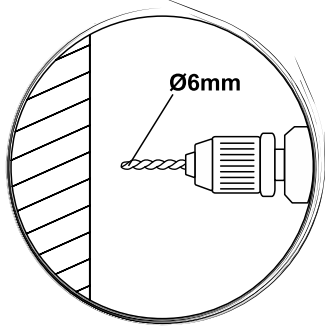
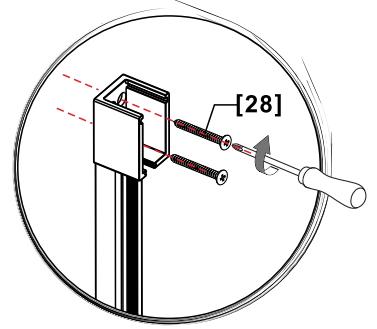
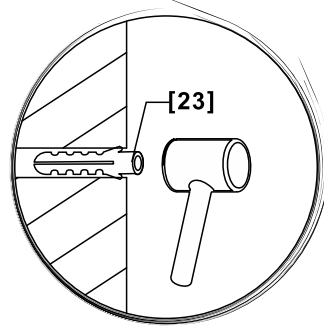
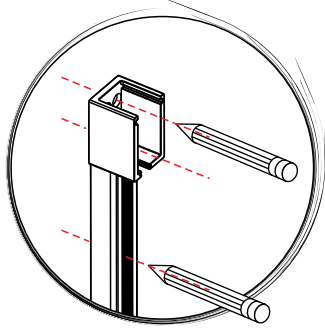
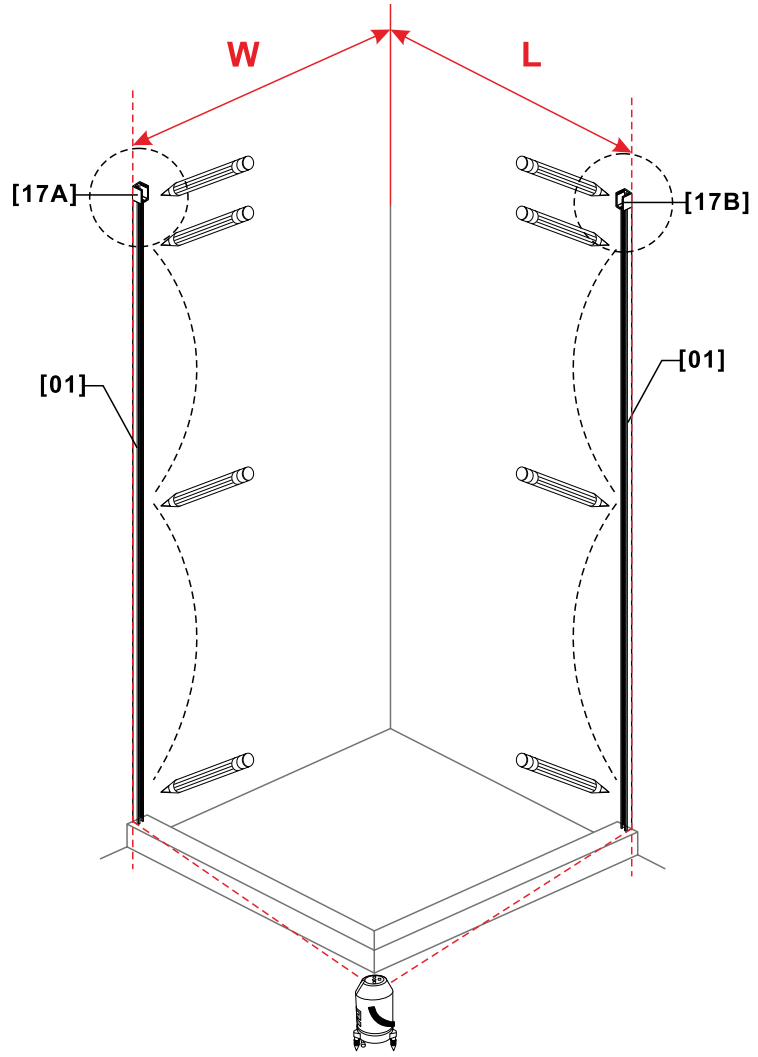
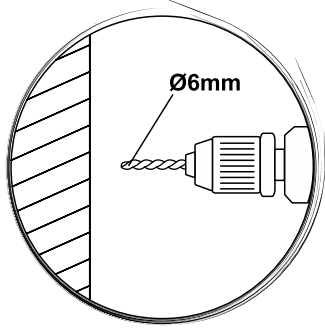
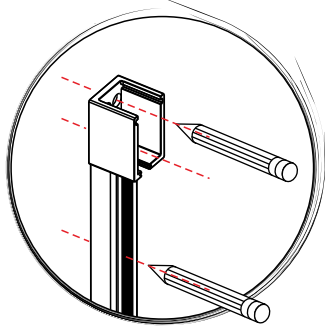
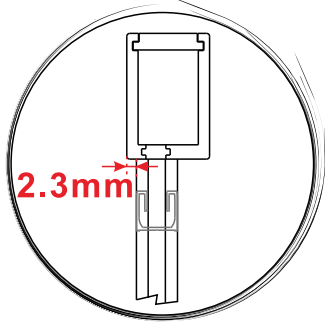
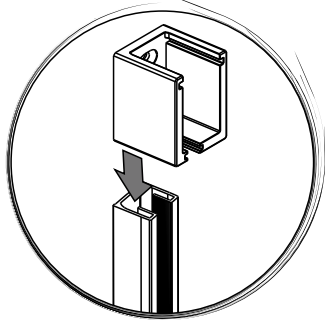
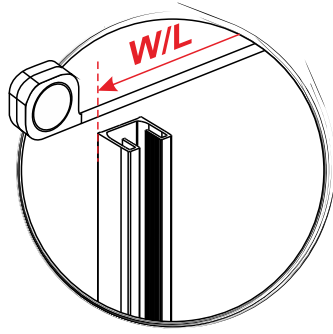
[23] x10



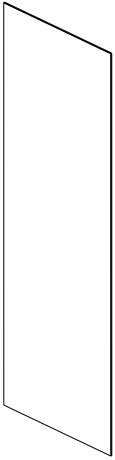
[27] x6 (ST4x35)



[28] x4 (ST4x35)



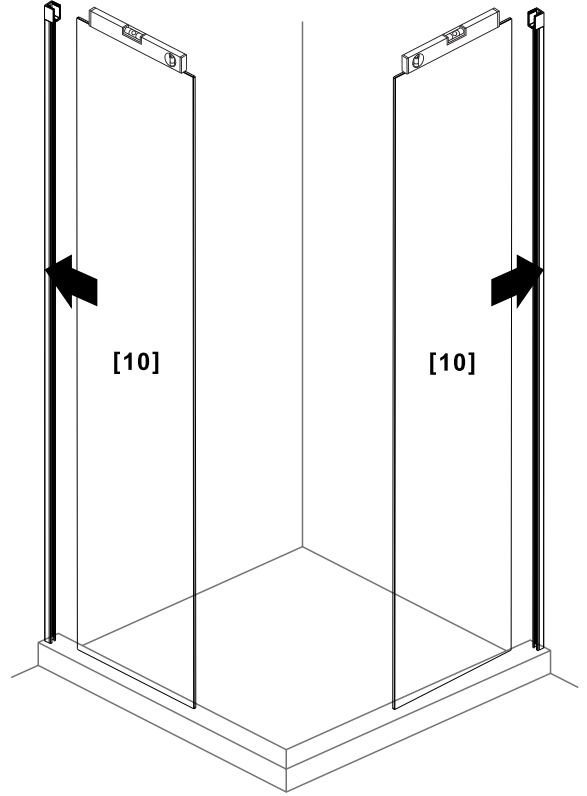
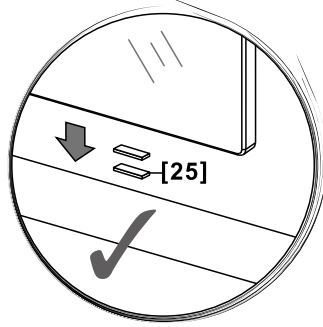
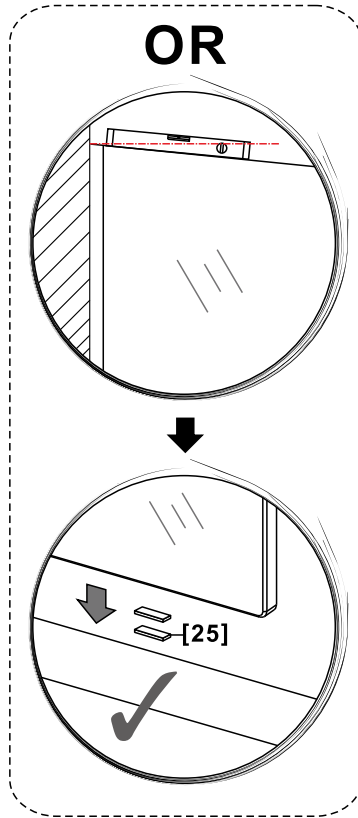
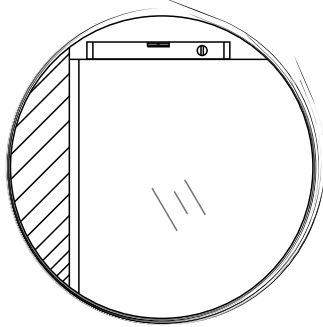
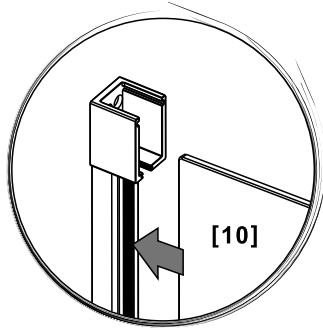
02



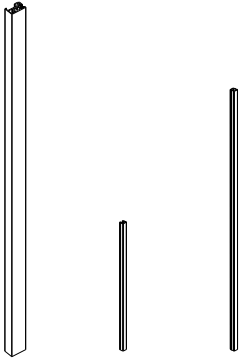
[10] x2



[25] x4



03



[02] x2 [06] x2 [07] x2



[13] x1



[19] x2



[15] x2



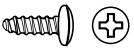
[26] x2



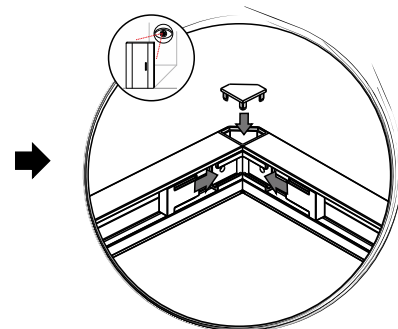
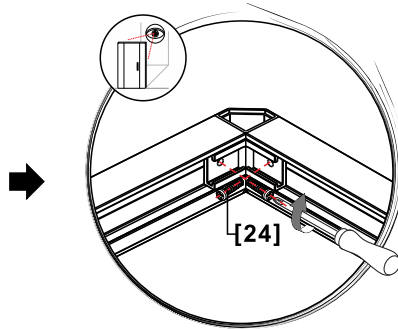
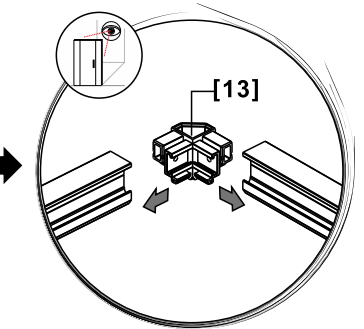
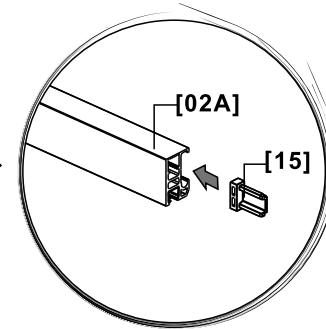
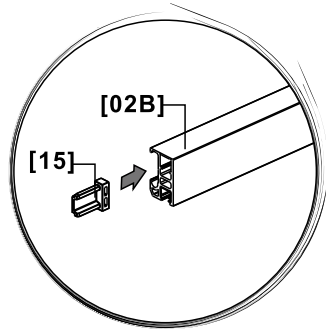
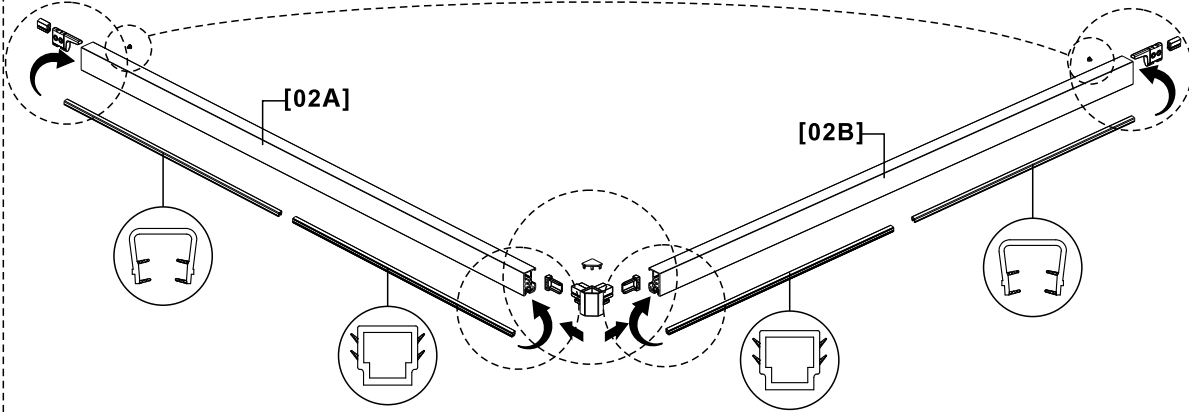
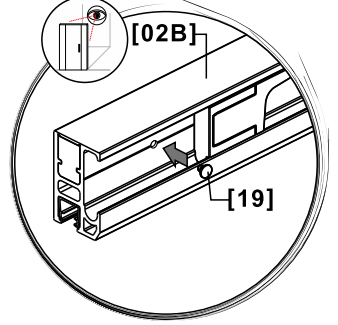
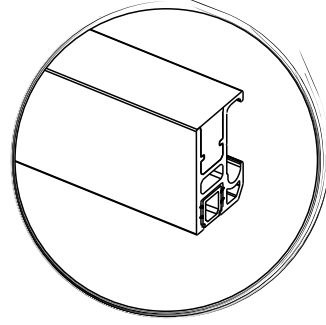
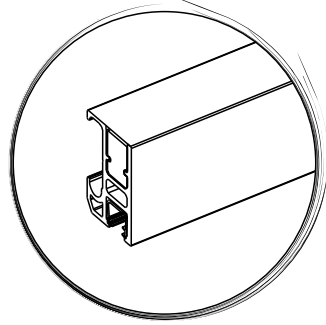
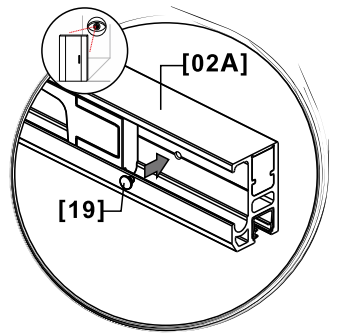
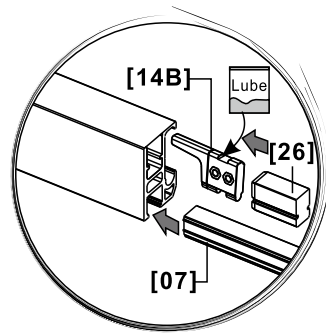
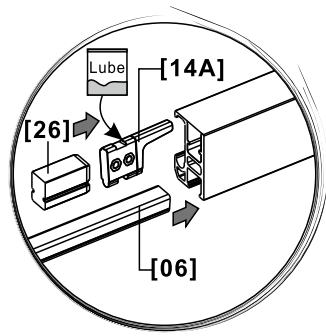
[14A] x1



[14B] x1



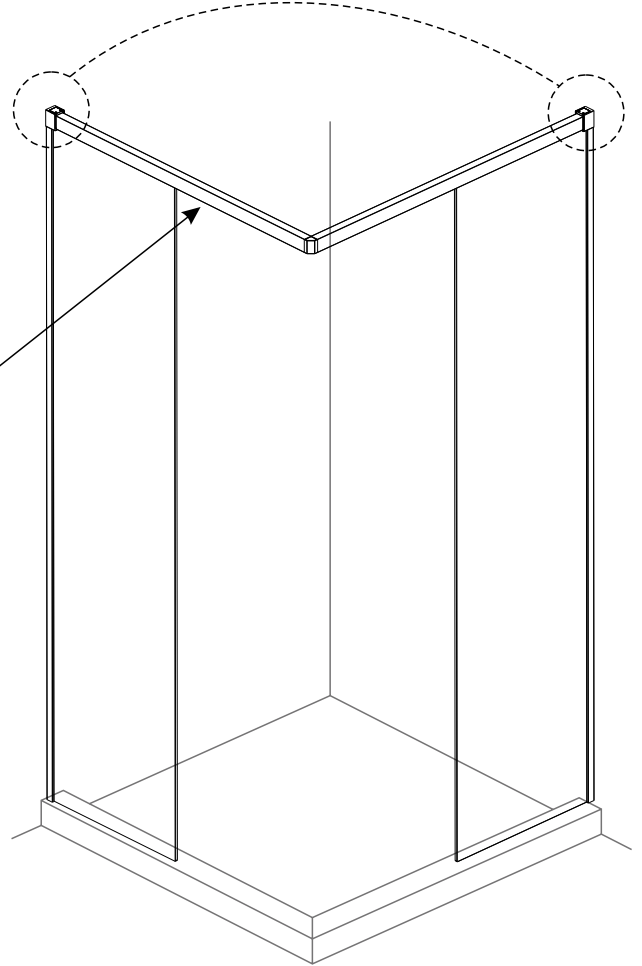
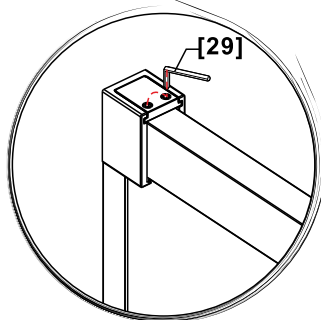
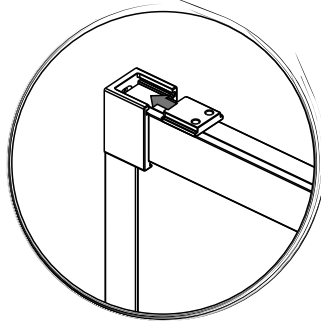
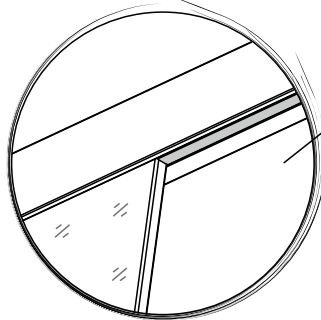
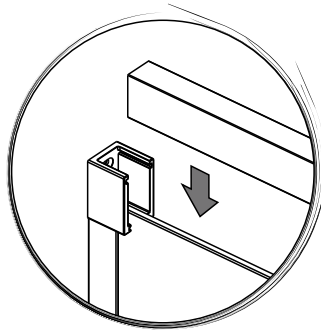
[24] x2 (ST4x8)



04



[29] x1 (2.5mm)



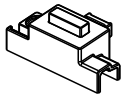
05



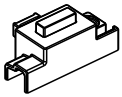
[08] x2



[18] x1



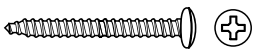
[20A] x1



[20B] x1



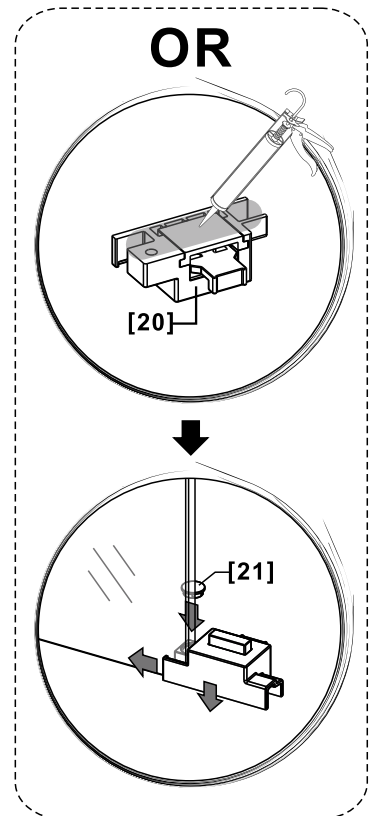
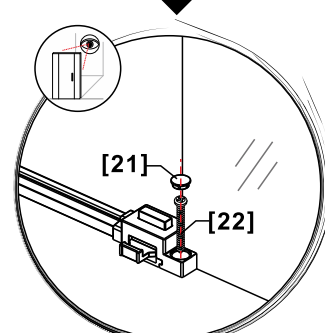
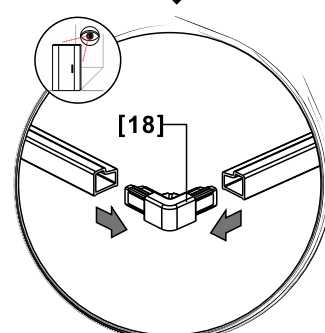
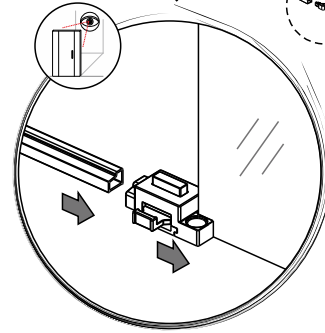
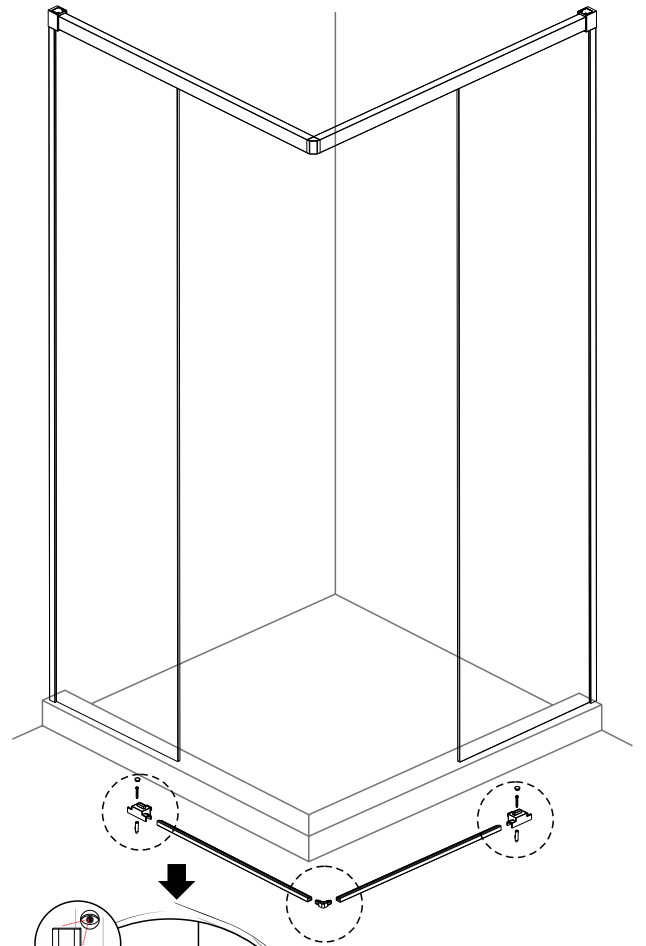
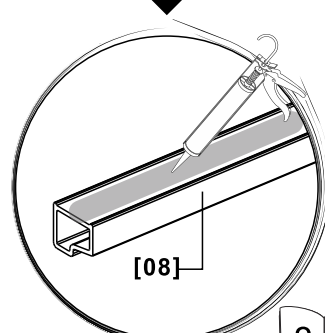
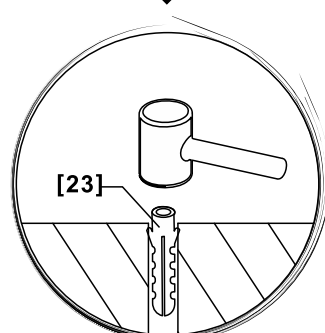
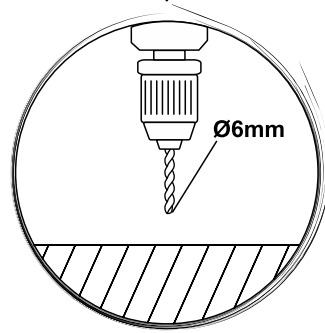
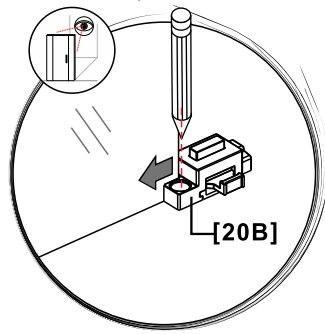
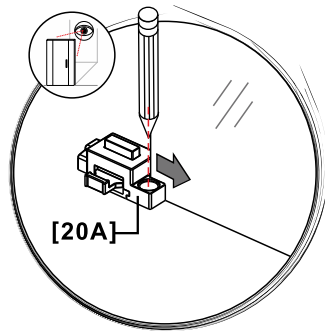
[21] x2



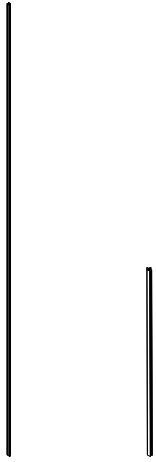
[22] x2 (ST4x25)



[23] x2



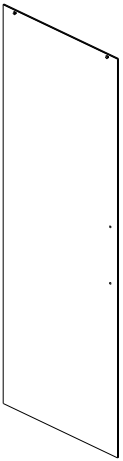
06



[05] x2



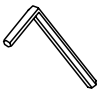
[09] x2



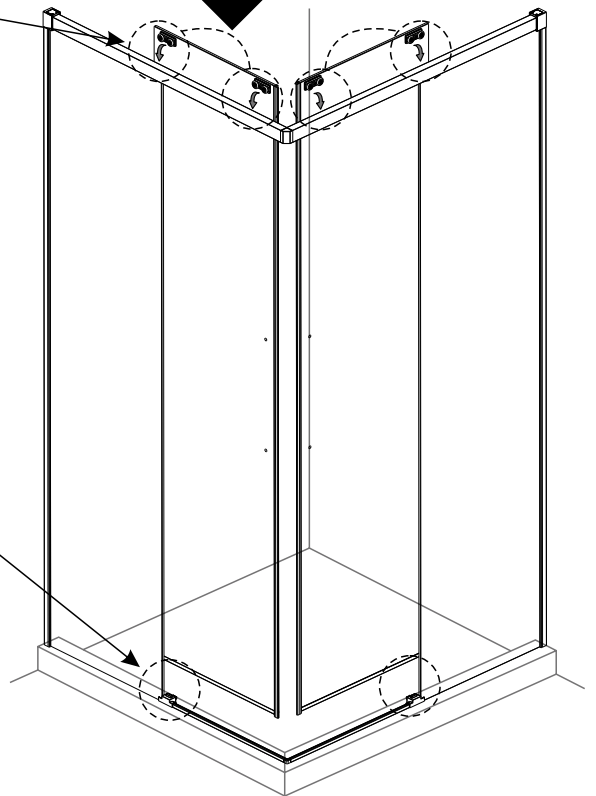
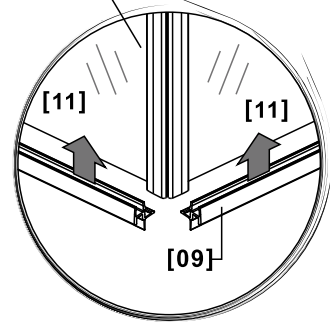
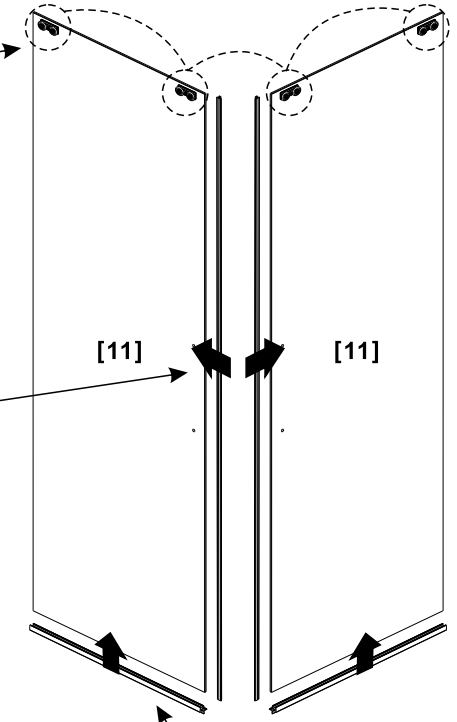
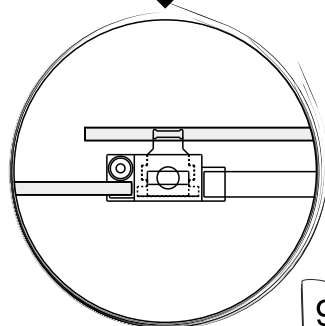
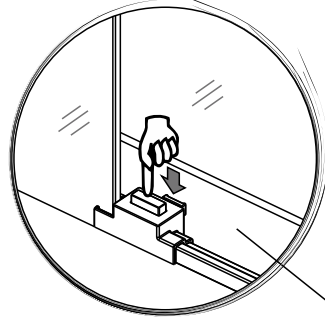
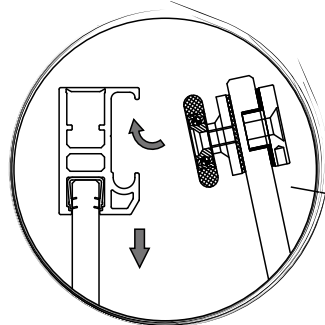
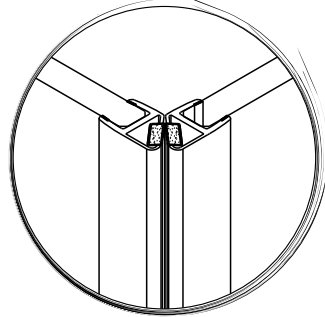
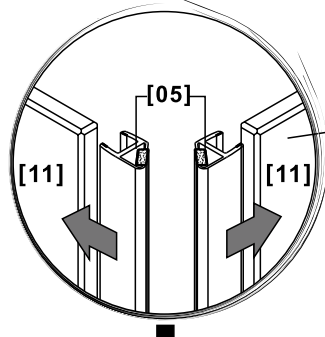
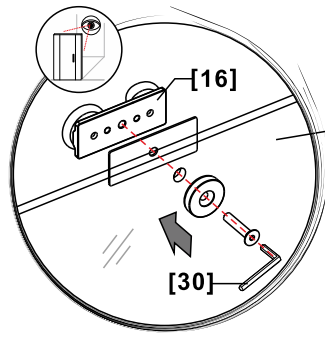
[11] x2



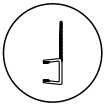
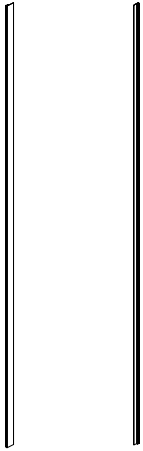
[16] x4



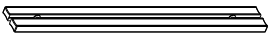
[30] x1 (3mm)



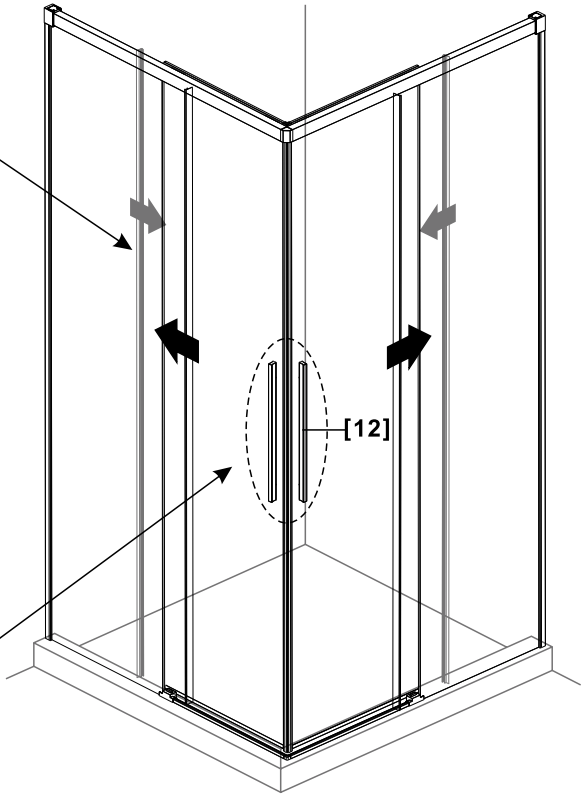
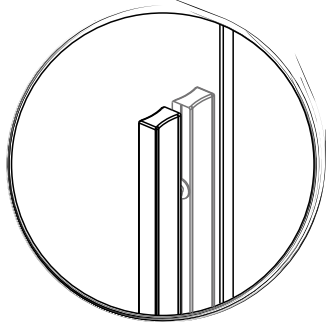
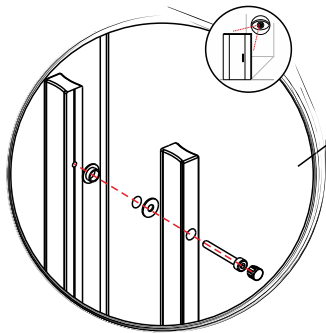
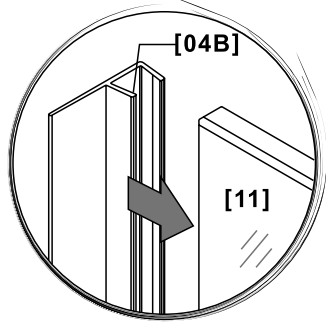
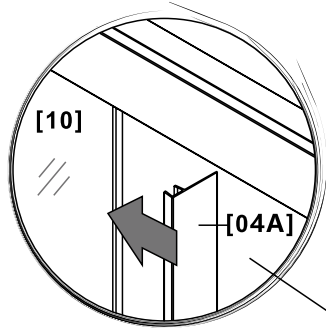
07

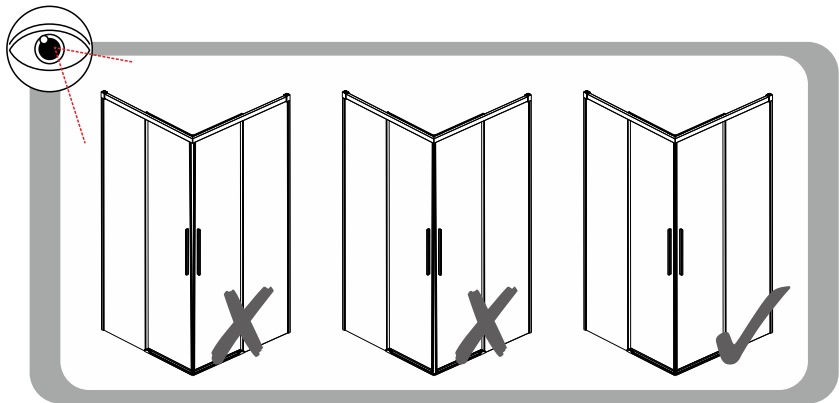
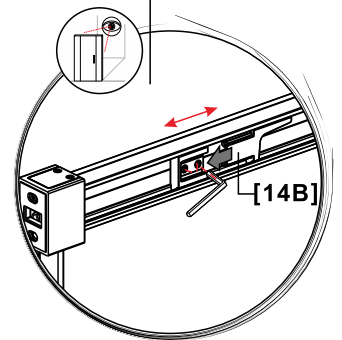
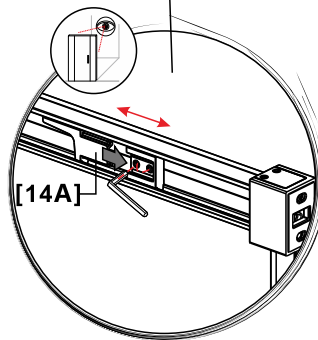
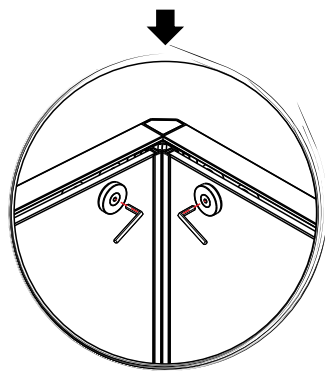
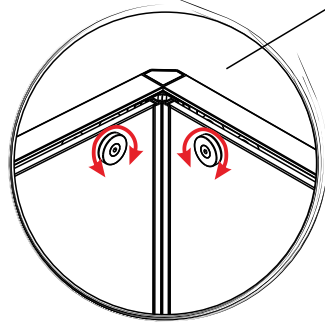
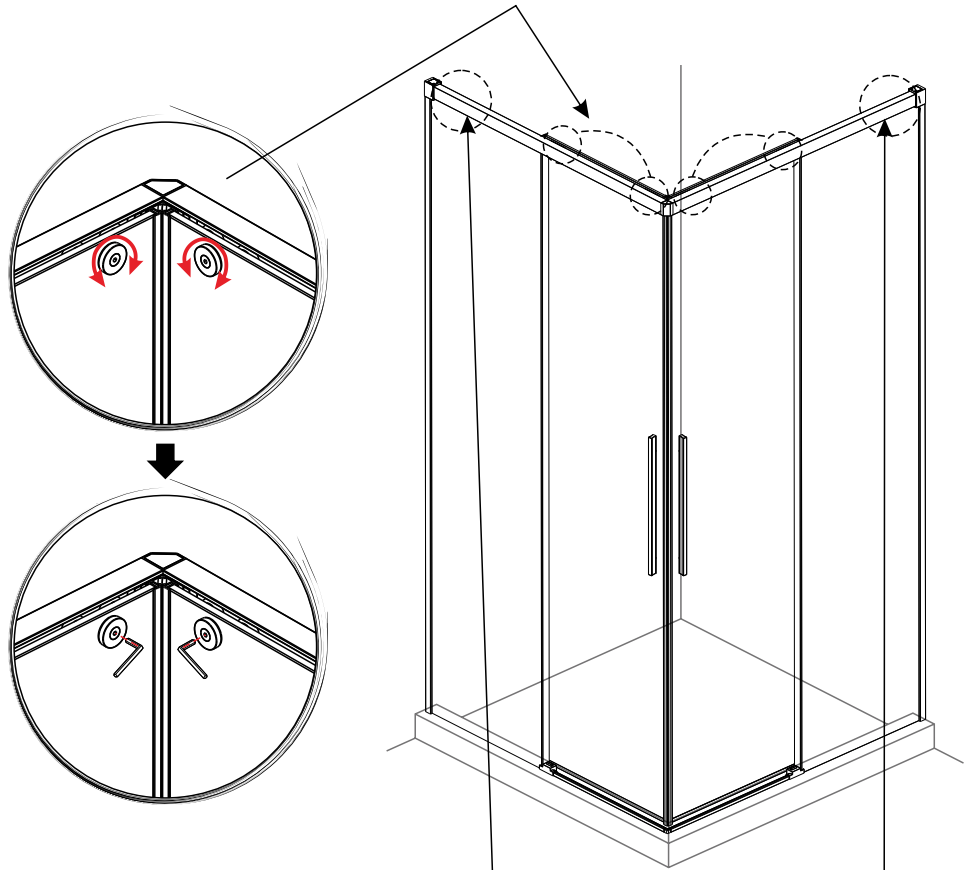


[04A] x2 [04B] x2



[12] x2

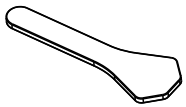




09



[03] x2



[31] x1

